



PARTS LIST

EARTH AUGER

AGZ5000

NOTE :

1. Use ZENOAH genuine parts specified in the parts list for repair and/or replacement.
2. ZENOAH does not warrant the machines, those which have been damaged by the use of any parts other than those specified by the company.
3. When placing orders of parts for repair and/or replacement, check if the model name and the serial number are suitable to those specified in the parts list, then use parts number described in the parts list.
4. The contents described in the parts list may change due to improvement.
5. The parts for the machine shall be supplied within ten (10) years after the machine is discontinued.
[It is possible that some specific parts may be subject to change of their delivery term and list price within the limit of ten (10) years after the machine is discontinued. And it is also possible that some parts may be available even after the limit of ten (10) years.]

Fig.1 FRAME and GEARCASE

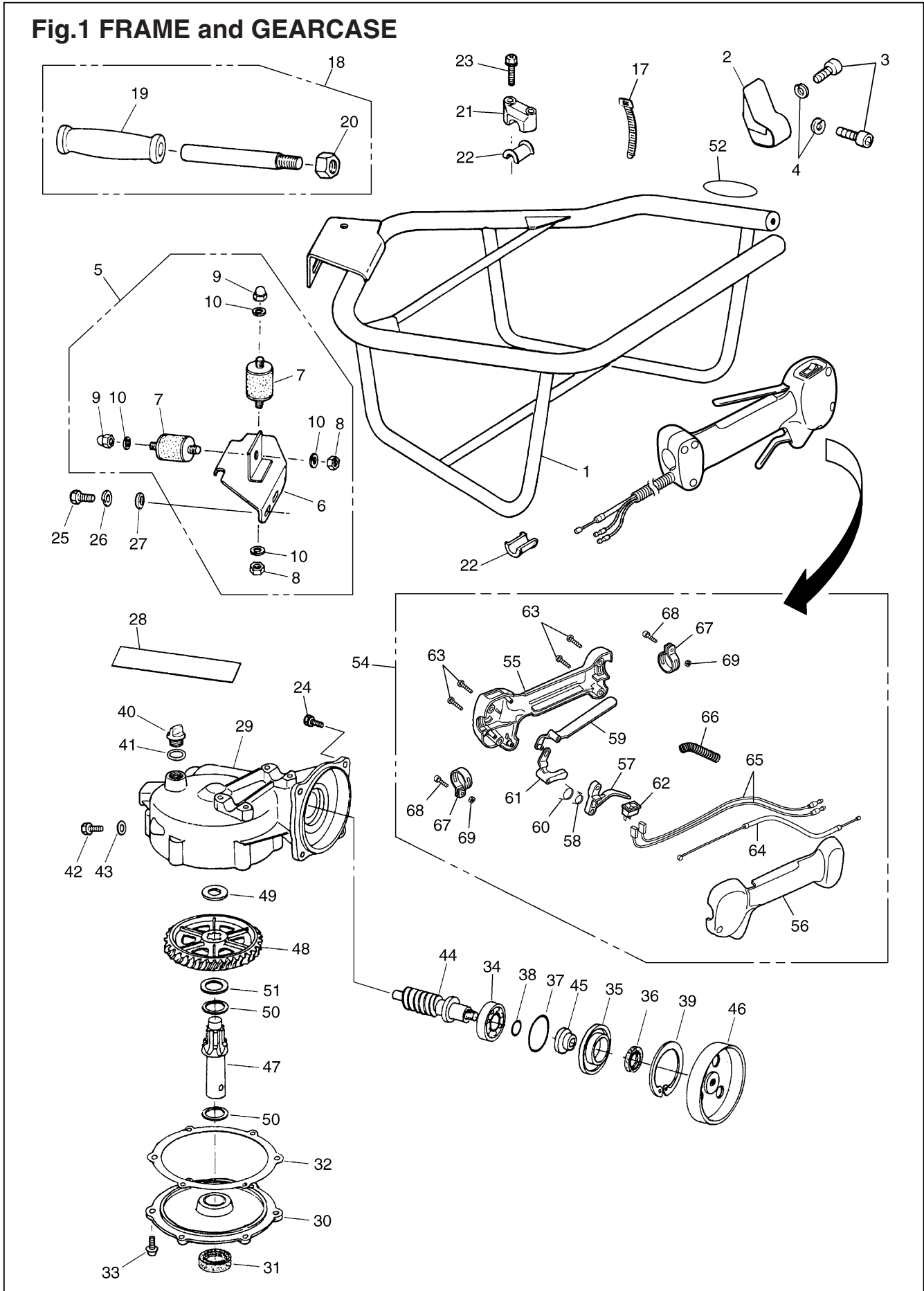


Fig.1 FRAME and GEARCASE

Key#	PART NUMBER	DESCRIPTION	Q'TY /UNIT	NOTE	Key#	PART NUMBER	DESCRIPTION	Q'TY /UNIT	NOTE
1	848A8A35A0	FRAME	1		51	3200-21250	SHIM	0~3	
2	T4502-31 120	BRACKET, frame	1		52	8488X10030	LABEL CAUTION	1	
3	01252-31025	BOLT	2	M10x25					
4	01602-21030	WASHER	2		54	8488R40491	GRIP ASSY	1	
5	3206-31202	BRACKET ASS'Y	1		55	8488RA0390	• BODY-R	1	
6	3206-31212	• BRACKET	1		56	8488RB0390	• BODY-L	1	
7	3206-31220	• MOUNT	2		57	8488RC0390	• LEVER	1	
8	0280-10605	• NUT	2	M6	58	8488RJ0420	• SPRING	1	
9	1000-15150	• NUT	2	M6	59	848JL233E2	• LEVER-S	1	
10	0290-20615	• WASHER	4		60	848JL233F3	• SPRING	1	
					61	848JL233G2	• LEVER	1	
17	3540-93120	BAND	1		62	T450652110	• SWITCH	1	
18	3204-31300	HANDLE COMP.	1		63	8488241600	• SCREW	4	
19	4050-14220	• GRIP	1		64	8488P40321	• CABLE COMP.	1	
20	0281-11411	• NUT	1	M14	65	8488M10681	• CORD COMP.	2	
21	3209-31123	HOLDER	2		66	8488H13701	• TUBE	1	
22	3206-31130	SPACER	4		67	8488RH0420	• BAND	2	
23	0225-50630	BOLT	4	M6x30	68	4820-13180	• BOLT	2	
24	6468-91150	BOLT	4	M6x20	69	0280-10504	• NUT	2	
25	01010-80620	BOLT	2	M6x20					
26	01602-20619	WASHER	2	M6					
27	01643-30623	WASHER	2						
28	848A8A90R1	PLATE, name	1						
29	3209-11103	GEARCASE COMP.	1						
30	3209-11203	COVER COMP.	1						
31	1800-21281	OIL SEAL	1						
32	3202-11260	GASKET	1						
33	0260-30620	SCREW	6	M6x20					
34	06000-06304	BEARING	1						
35	3202-11311	RETAINER	1						
36	3202-11320	OIL SEAL	1						
37	3200-11330	O-RING	1						
38	07000-02012	O-RING	1						
39	04065-06220	SNAP RING	1	ø62					
40	3202-11361	PLUG	1						
41	2510-23230	O-RING	1						
42	0224-00610	BOLT	1	M6x10					
43	7005-00612	GASKET	1						
44	3205-21110	WORM	1						
45	3200-21121	COLLOR	1						
46	3200-21130	DRUM	1						
47	3206-21210	SHAFT	1						
48	3205-21220	WHEEL	1						
49	3200-21230	WASHER	1						
50	3202-21240	WASHER	2						

Fig.2 ENGINE GROUP

Key#	PART NUMBER	DESCRIPTION	Q'TY /UNIT	NOTE	Key#	PART NUMBER	DESCRIPTION	Q'TY /UNIT	NOTE
1	848H701211	CYLINDER COMP.	1		87	848H7475F1	• ROPE	1	
2	848H7012C1	• COVER, TR, S	1		88	848H7075J1	• KNOB	1	
3	848H7012D1	• COVER, TR, F	1		89	848H7075G1	• STOPPER	1	
4	848H7012E1	• GASKET, TR	2		90	1660-75510	• ADAPTER	1	
5	8488141000	• BOLT TORX M4xL10 T27	8		91	848H747520	PULLEY ASSY	1	
6	848H7012B1	GASKET	1		92	848H7475R0	• RATCHET	2	
7	4820-12130	BOLT TORX M5xL22 T27	4		93	848H7075S0	• SPRING	2	
8	3699-91867	SPARK PLUG	1	CMR7H	94	1034-72180	• E RING	2	
9	848H702111	CRANKCASE COMP.	1		95	4820-32120	BOLT TORX	4	
10	2629-21130	• PIN	3						
11	T1400-21140	GASKET, CASE	1		99	848H7014A3	INSULATOR ASSY	1	
12	84889F3511	BEARING	2						
13	T4019-21210	SEAL	1		101	848H7082A2	PIPE	1	
14	1400-21220	SEAL	1		102	848H7014B2	GASKET	1	
15	04065-03515	RING, SNAP	1		103	848H7014C1	GASKET, CARB	1	
16	4820-21310	BOLT TORX M5xL30 T27	4		104	T4950-52021	BOLT TORX M5xL20 T27	3	
17	848H7041A2	PISTON	1		105	848H708103	CARBURETOR ASSY	1	
18	T1400-41210	RING	2		106	848H7082F0	KNOB	1	
19	2880-41310	PIN	1		107	2850-81900	PUMP	1	
20	3350-41320	SNAP RING	2		108	8488F40450	TUBE	1	
21	1400-41410	BEARING	1		109	848GG08310	BODY ASSY	1	
22	2670-41510	WASHER	2		110	848GG083D0	• GROMMET	1	
23	848H704201	CRANKSHAFT COMP.	1		111	848H7383H0	COVER, CLEANER	1	
					112	8488052011	• SCREW	2	
30	848H7015A1	MUFFLER	1						
31	8488156700	BOLT TORX M5xL67 T27	2		114	848GG083G0	ELEMENT, SUB	1	
32	4820-85510	BOLT TORX M5xL16 T27	2		115	848H7083F1	ELEMENT	1	
33	848H7315C0	GASKET	1		116	T4012-82510	PLATE	1	
34	848H7915D0	PLATE	1		117	4820-15310	BOLT TORX M5xL50 T27	2	
					118	4820-85510	BOLT TORX M5xL16 T27	1	
40	848H7C53A0	COVER	1		119	848H708221	BRACKET ASSY	1	
41	4820-85510	BOLT TORX M5xL16 T27	4		120	T1600-13170	• SCREW	1	
42	848H7C31A0	COVER, ENGINE	1		121	0282-10604	• NUT	1	
					122	8488251601	SCREW M5xL16 T27	1	
46	8488151002	BOLT TORX M5xL10 T27	2		123	8488141200	BOLT M4x12 T27	1	
					124	848GG082L1	STOPPER	1	
50	4500-51100	SHOE COMP.	1						
51	1200-51211	SCREW	2		130	848H718501	TANK ASSY	1	
52	1200-51230	WASHER	2		131	T1015-85202	• CAP ASSY	1	
53	1200-51241	WASHER	2		132	4500-85300	•• HOLDER ASSY	1	
					133	4500-85220	•• PACKING	1	
60	848H7471A0	ROTOR	1		134	5601-85260	•• FILTER	1	
61	848H7C7120	COIL ASSY	1		135	4820-85260	•• STOPPER	1	
					136	848H718531	• PIPE COMP.	1	
63	T4950-42200	BOLT TORX M4xL22 T27	2		137	3302-85400	• FILTER	1	
64	1260-71261	SPACER	2		138	2841-31280	• COLLER	1	
65	848F3071C2	CAP	1		139	8488152500	BOLT	4	
66	1900-72120	SPRING	1		140	1484-86280	WASHER	4	
67	T1400-73200	CORD COMP.	1						
68	1400-43230	NUT	1		151	848H7990C1	LABEL, RECOIL	1	
69	1000-43240	KEY	1		152	2634-31420	LABEL (CE)	1	
70	8488MX0700	TUBE	1		153	8488X01180	LABEL	1	
80	848H7C7510	RECOIL ASSY	1		154	848H7390E0	LABEL	1	
82	848H7475C0	• REEL	1						
83	848H7475L0	• PLATE, CAM	1						
84	848H7075K1	• SPRING, DAMPER	1						
85	848H7075B1	• SPRING, SPIRAL	1						
86	848H7475E1	• SCREW	1						

Fig.3 CARBURETOR

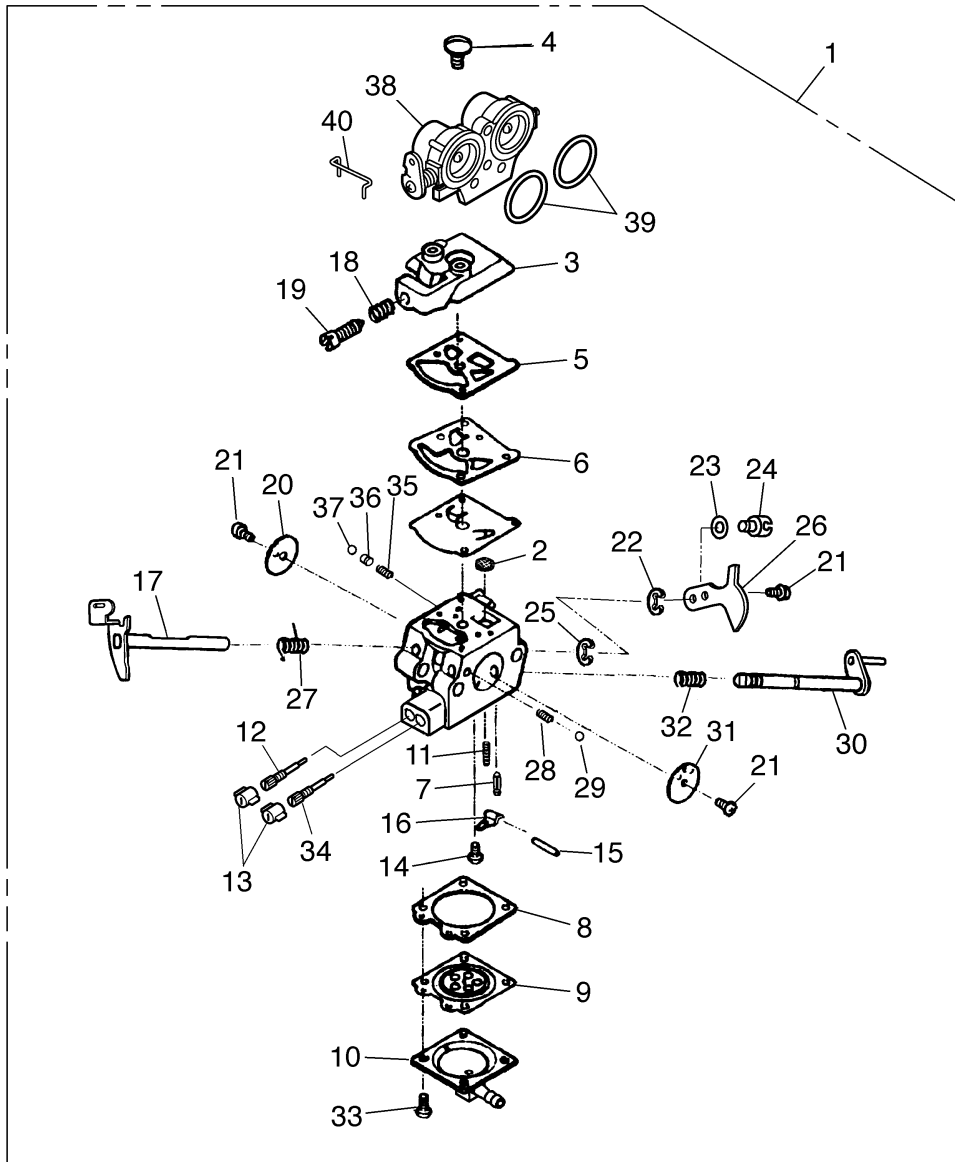


Fig.3 CARBURETOR

Key#	PART NUMBER	DESCRIPTION	Q'TY /UNIT	NOTE	Key#	PART NUMBER	DESCRIPTION	Q'TY /UNIT	NOTE
1	848H708103	CARBURETOR ASSY	1						
2	3306-81380	• SCREEN	1						
3	848H7081H0	• COVER	1						
4	848H7081P0	• SCREW	1						
5	3304-81140	• GASKET	1						
6	1172-81150	• DIAPHRAGM	1						
7	3356-81310	• VALVE	1						
8	2850-81290	• GASKET	1						
9	3310-81260	• DIAPHRAGM	1						
10	848H7081G0	• COVER	1						
11	1488-81370	• SPRING	1						
12	2812-81330	• NEEDLE	1						
13	3415-81490	• CAP	2						
14	3310-81240	• SCREW	1						
15	3310-81250	• PIN	1						
16	3310-81230	• LEVER	1						
17	848H7081T1	• SHAFT	1						
18	1282-81460	• SPRING	1						
19	1145-81540	• SCREW	1						
20	848H7081U1	• VALVE	1						
21	2880-81470	• SCREW	3						
22	1751-81130	• RING	1						
23	1751-81190	• WASHER	1						
24	1751-81141	• SWIVEL	1						
25	1148-81390	• RING	1						
26	848H7181Z1	• LEVER, throttle	1						
27	2670-81410	• SPRING	1						
28	3350-81350	• SPRING	1						
29	3350-81220	• BALL	1						
30	848H7181E0	• SHAFT ASSY, choke	1						
31	848H7180C0	• VALVE	1						
32	3350-81391	• SPRING	1						
33	3310-81351	• SCREW	4						
34	848H7181B0	• NEEDLE	1						
35	2810-81530	• SPRING	1						
36	2812-81510	• PISTON	1						
37	2812-81520	• BALL	1						
38	848H708200	• BODY ASSY, air valve	1						
39	848H7082A0	• RING, packing	2						
40	848H7082B0	• LINK ROD	1						

Fig.4 DRILL and ACCESSORY

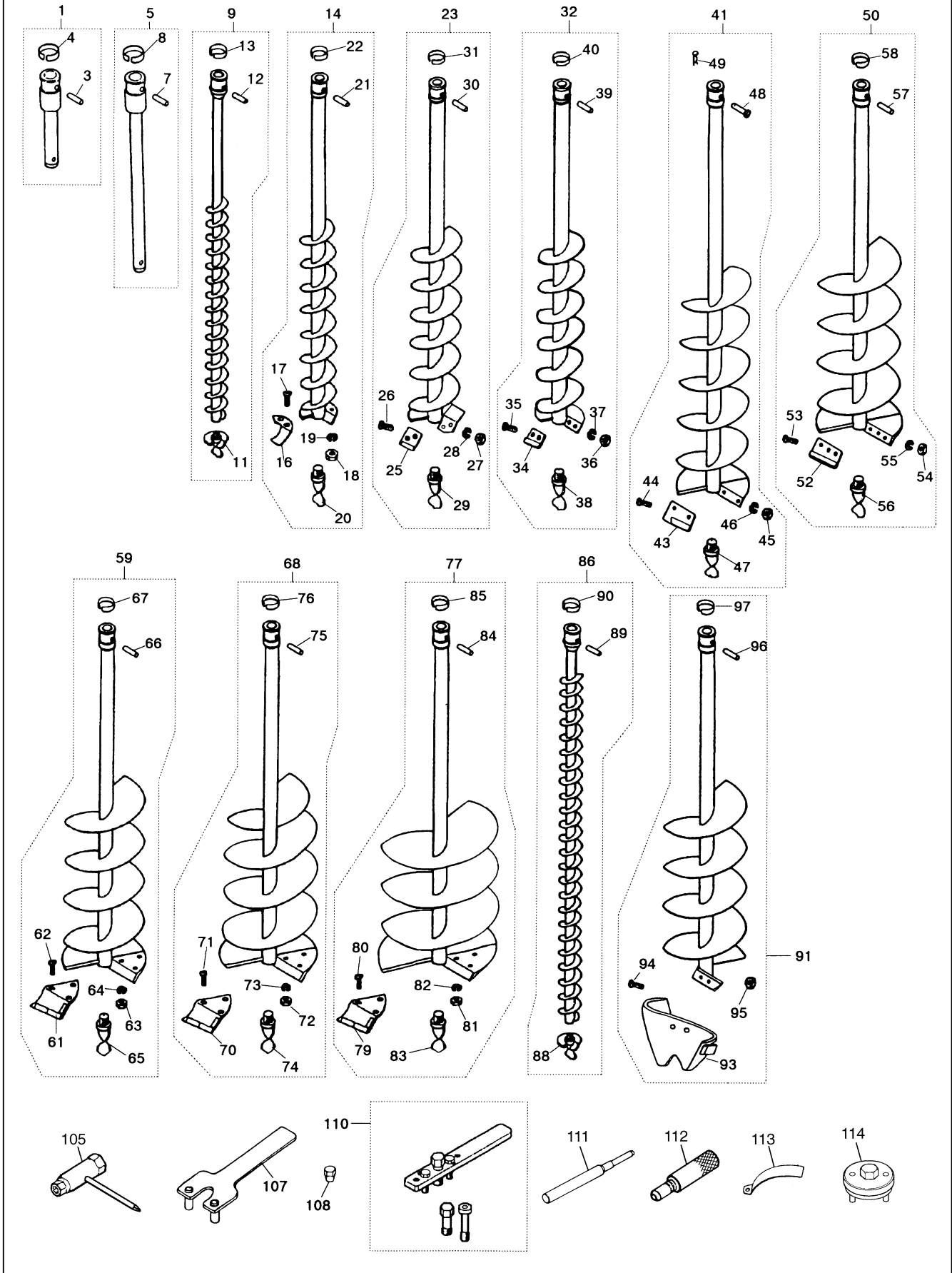


Fig.4 DRILL and ACCESSORY

Key#	PART NUMBER	DESCRIPTION	Q'TY /UNIT	NOTE	Key#	PART NUMBER	DESCRIPTION	Q'TY /UNIT	NOTE
1	Z320453100000	JOINT-L100 ASSY	1		57	3200-51130	• PIN	1	
3	3200-51130	• PIN	1		58	3200-51140	• CLIP	1	
4	3200-51140	• CLIP	1		59	Z320652400000	DRILL S200 ASSY	1	
5	Z320453200000	JOINT-L300 ASSY	1		61	3202-52420	• TIP S200	1	
7	3200-51130	• PIN	1		62	01225-40620	• SCREW	3	
8	3200-51140	• CLIP	1		63	0280-10605	• NUT	3	
9	Z320251102000	DRILL S40 ASSY	1		64	0290-20615	• WASHER	3	
11	3202-51121	• BIT	1		65	3206-52330	• BIT	1	
12	3200-51130	• PIN	1		66	3200-51130	• PIN	1	
13	3200-51140	• CLIP	1		67	3200-51140	• CLIP	1	
14	Z320652100000	DRILL S60 ASSY	1		68	Z320652500000	DRILL S250 ASSY	1	
16	3202-52121	• TIP S60	1		70	3202-52520	• TIP S250	1	
17	01225-40620	• SCREW	2		71	01225-40620	• SCREW	3	
18	0280-10605	• NUT	2		72	0280-10605	• NUT	3	
19	0290-20615	• WASHER	2		73	0290-20615	• WASHER	3	
20	3206-52330	• BIT	1		74	3206-52330	• BIT	1	
21	3200-51130	• PIN	1		75	3200-51130	• PIN	1	
22	3200-51140	• CLIP	1		76	3200-51140	• CLIP	1	
23	Z320652600000	DRILL S80 ASSY	1		77	Z320653300000	DRILL S300 ASSY	1	
25	3206-52620	• TIP S80	1		79	3202-52620	• TIP S300	1	
26	01225-40620	• SCREW	2		80	01225-40620	• SCREW	3	
27	0280-10605	• NUT	2		81	0280-10605	• NUT	3	
28	0290-20615	• WASHER	2		82	0290-20615	• WASHER	3	
29	3206-52330	• BIT	1		83	3206-52330	• BIT	1	
30	3200-51130	• PIN	1		84	3200-51130	• PIN	1	
31	3200-51140	• CLIP	1		85	3200-51140	• CLIP	1	
32	Z320652200000	DRILL S90 ASSY	1		86	Z320651100000	DRILL S40L ASSY	1	
34	3206-52220	• TIP S90	1		88	3202-51121	• BIT	1	
35	01225-40620	• SCREW	2		89	3200-51130	• PIN	1	
36	0280-10605	• NUT	2		90	3200-51140	• CLIP	1	
37	0290-20615	• WASHER	2		91	Z320661100000	DRILL I-150 ASSY	1	
38	3206-52330	• BIT	1		93	3206-61120	• BLADE	1	
39	3200-51130	• PIN	1		94	6468-91150	• BOLT	2	
40	3200-51140	• CLIP	1		95	0280-10605	• NUT	2	
41	Z320652900000	DRILL S120 ASSY	1		96	3200-51130	• PIN	1	
43	3206-52920	• TIP S120	1		97	3200-51140	• CLIP	1	
44	01225-40620	• SCREW	2		105	T4017-91130	SOCKET	1	
45	0280-10605	• NUT	2		107	3206-91610	SPANNER	1	OP
46	0290-20615	• WASHER	2		108	3206-91620	ROD	1	OP
47	3206-52330	• BIT	1		110	2890-96100	PULLER ASSY	1	OP
48	3206-52930	• PIN	1		111	3350-96230	GUIDE	1	
49	04052-00833	• SNAPPING	1		112	4810-96220	STOPPER	1	
50	Z320652300000	DRILL S150 ASSY	1		113	3350-96240	GAUGE	1	
52	3206-52320	• TIP S150	1		114	8488W00020	PULLER	1	
53	01225-40620	• SCREW	3						
54	0280-10605	• NUT	3						
55	0290-20615	• WASHER	3						
56	3206-52330	• BIT	1						