

PARTS LIST

DUSTERS/MISTERS

MD431A
MD431D
MD431M

NOTE :

1. Use KOMATSU ZENOAH genuine parts specified in the parts list for repair and/or replacement.
2. KOMATSU ZENOAH does not warrant the machines, those which have been damaged by the use of any parts other than those specified by the company.
3. When placing orders of parts for repair and/or replacement, check if the model name and the serial number are suitable to those specified in the parts list, then use parts number described in the parts list.
4. The contents described in the parts list are as of July 1997 may change due to improvement.
5. The parts for the machine shall be supplied within ten (10) years after the machine is discontinued.
[It is possible that some specific parts may be subject to change of their delivery term and list price within the limit of ten (10) years after the machine is discontinued. And it is also possible that some parts may be available even after the limit of ten (10) years.]

APPLICABLE SERIAL NUMBERS :

MD431A	809607	and up
MD431D	809607	and up
MD431M	809607	and up

Feb. 2005

Fig.1 POWER UNIT

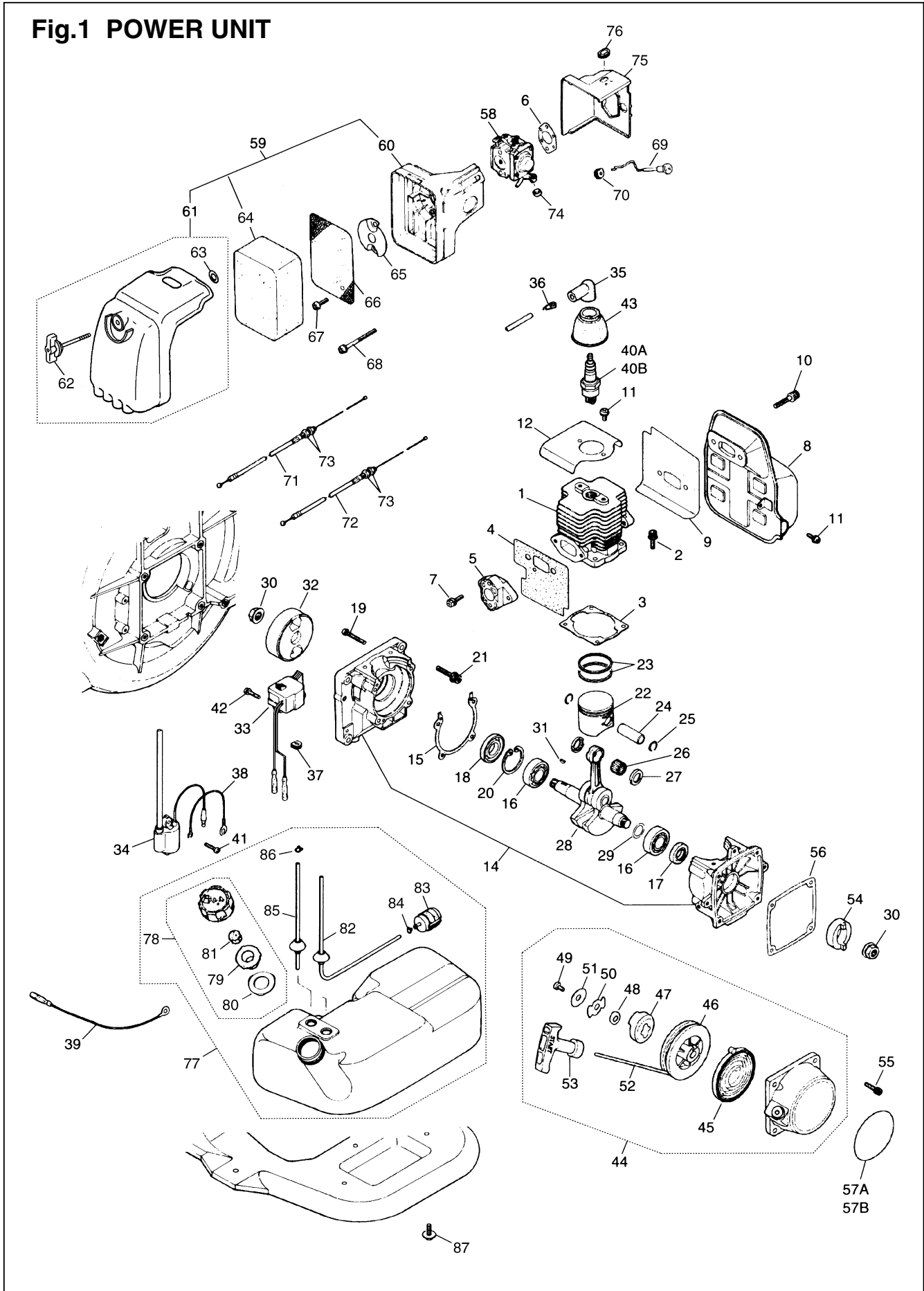


Fig.1 POWER UNIT

Key#	PART NUMBER	DESCRIPTION	Q'TY /UNIT	NOTE	Key#	PART NUMBER	DESCRIPTION	Q'TY /UNIT	NOTE
1	1490-12114	CYLINDER	1		48	1861-75150	• WASHER	1	
2	3495-12280	BOLT	4		49	1483-75270	• SCREW	1	
3	1400-13122	GASKET	1		50	1487-75160	• RETAINER	1	
4	1491-13134	GASKET	1		51	1487-75170	• WASHER	1	
5	1491-14113	INSULATOR	1		52	1400-75160	• ROPE	1	
6	1491-13152	GASKET	1		53	1400-75170	• KNOB	1	
7	1491-14120	BOLT M5 x 25	2		54	1487-75211	PULLEY	1	
8	1491-15112	MUFFLER	1		55	3460-75510	BOLT	4	
9	1487-13141	GASKET	1		57A	1491-75712	LABEL	1	MD431
10	1491-15211	BOLT M6 x 35	2		57B	1491-75752	LABEL	1	MD431M
11	2750-12520	BOLT M5 x 12	4		58	848L958100	CABURETOR ASSY	1	HDA80B
12	1491-32110	CYLINDER COVER	1		59	1487-82102	AIR CLEANER ASSY	1	
					60	1487-82112	• BODY	1	
14	1497-21101	CRANKCASE COMP.	1		61	1487-82101	• COVER ASSY	1	
15	1400-21141	GASKET	1		62	1487-82210	•• KNOB	1	
16	06030-06202	BEARING	2		63	5500-82230	•• RING	1	
17	1520-21220	OIL SEAL	1		64	1491-82311	• ELEMENT	1	
18	1400-21220	OIL SEAL	1		65	1484-82510	SHUT PLATE	1	
19	01252-30530	BOLT M5 x 30	4		66	1491-82352	SCREEN	1	
20	04065-03515	RING	1		67	1491-82360	SCREW	1	
21	1491-21511	BOLT	4		68	0263-30555	SCREW	2	
22	1483-41111	PISTON	1		69	1491-82811	CHOKE ROD	1	
23	1400-41220	RING	2		70	3320-33310	GROMMET	1	
24	1490-41310	PIN	1		71	1491-83100	CABLE COMP.	1	MD431A,D
25	3350-41320	SNAP RING	2		72	1491-83610	CABLE COMP.	1	MD431M
26	1400-41410	BEARING	1		73	0280-10605	NUT	2	
27	2616-41510	WASHER	2		74	1601-81810	CAP	1	
28	1400-42002	CRANKSHAFT COMP.	1		75	1491-82611	COVER	1	MD431A,D
29	1300-42410	SHIM	0/1		76	1491-82620	GROMMET	1	MD431A,D
30	1400-43230	NUT	2		77	3490-23006	TANK ASSY	1	
31	1000-43240	KEY	1		78	4570-85201	• CAP ASSY	1	
32	1490-71110	ROTOR	1		79	4570-85230	•• INNER CAP	1	
33	3468-71212	SOURCE COIL	1		80	4500-85220	•• PACKING	1	
34	1491-71310	IGNITION COIL	1		81	1030-85141	•• ELEMENT	1	
35	1900-72112	CAP	1		82	1696-85400	• SUCTION PIPE	1	
36	1900-72120	SPRING	1		83	3302-85400	• FILTER ASSY	1	
37	1130-72120	GROMMET	1		84	1260-85460	• CLIP	1	
38	1491-71510	CORD, earth	1		85	3490-23500	• PIPE ASSY	1	
39	1491-72610	CORD, switch	1		86	1100-86120	• CLIP	1	
40	3699-90279	SPARK PLUG B7S	1		87	3490-23612	SCREW	2	
41	0277-10416	SCREW	2						
42	1565-72211	BOLT M4 x 16	2						
43	1333-71220	CAP	1						
44	T4030-75100	RECOIL ASSY	1						
45	1180-75221	• SPRING	1						
46	T4030-75120	• REEL	1						
47	T4030-75140	• DOG	1						

Fig.2 CARBURETOR

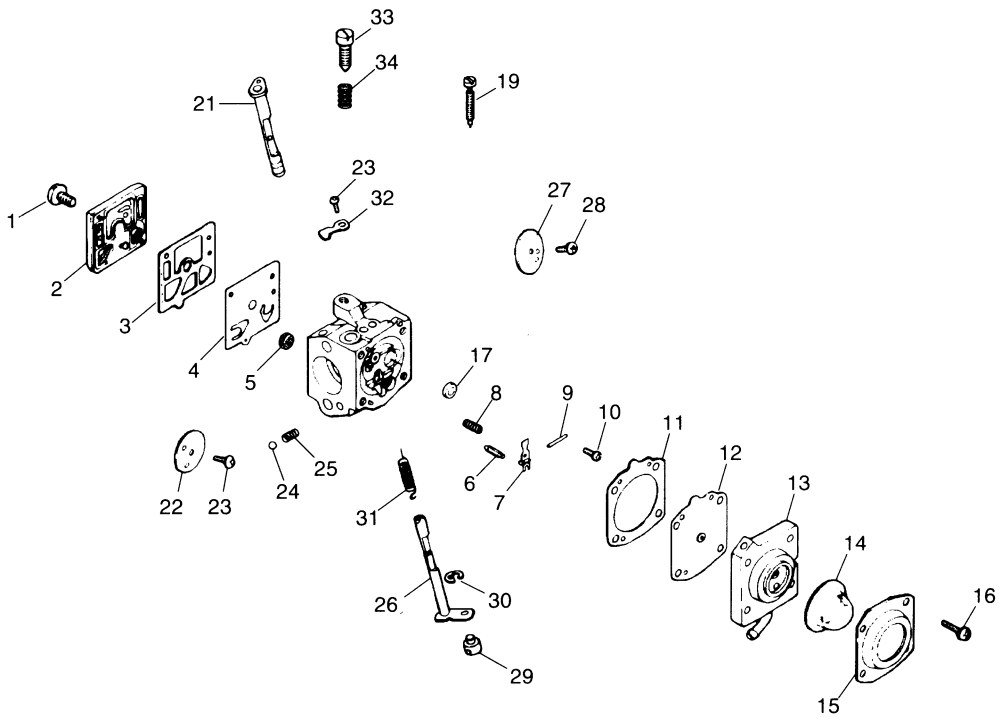


Fig.2 CARBURETOR

Key#	PART NUMBER	DESCRIPTION	Q'TY /UNIT	NOTE	Key#	PART NUMBER	DESCRIPTION	Q'TY /UNIT	NOTE
	848L958100	CARBURETOR ASSY	1						
1	1491-81130	• SCREW, PUMP	1						
2	1491-81120	• COVER, PUMP	1						
3	848L9581N0	• GASKET, PUMP	1						
4	3350-81260	• DIAPHRAGM, PUMP	1						
5	3306-81380	• SCREEN, inlet	1						
6	3356-81310	• VALVE, inlet	1						
7	3350-81250	• LEVER, metering	1						
8	848L9581C0	• SPRING, metering lever	1						
9	3310-81250	• PIN, metering lever	1						
10	3310-81240	• SCREW, lever pin	1						
11	1491-81240	• GASKET, metering diaph.	1						
12	1491-81270	• DIAPHRAGM, metering	1						
13	1480-81490	• BODY, air purge	1						
14	1491-81510	• PUMP, primer	1						
15	1491-81540	• COVER, pump	1						
16	1480-81520	• SCREW	4						
17	1480-81420	• PLUG, welch	1						
19	848H7383G0	• NEEDLE, idle	1						
21	1491-81170	• CHOKE SHAFT	1						
22	1491-81180	• CHOKE VALVE	1						
23	2880-81470	• SCREW	2						
24	3350-81220	• BALL, choke friction	1						
25	3350-81350	• SPRING, friction ball	1						
26	1491-81151	• THROTTLE SHAFT ASSY	1						
27	3310-81340	• VALVE, throttle	1						
28	2201-81150	• SCREW, throttle valve	1						
29	1751-81140	• SWIVEL	1						
30	1491-81470	• E-RING	1						
31	1491-81390	• SPRING, return	1						
32	1488-81190	• STOP, throttle	1						
33	2630-81330	• SCREW, idle adjust	1						
34	3350-81380	• SPRING, adjust screw	1						

Fig.3 BLOWER UNIT

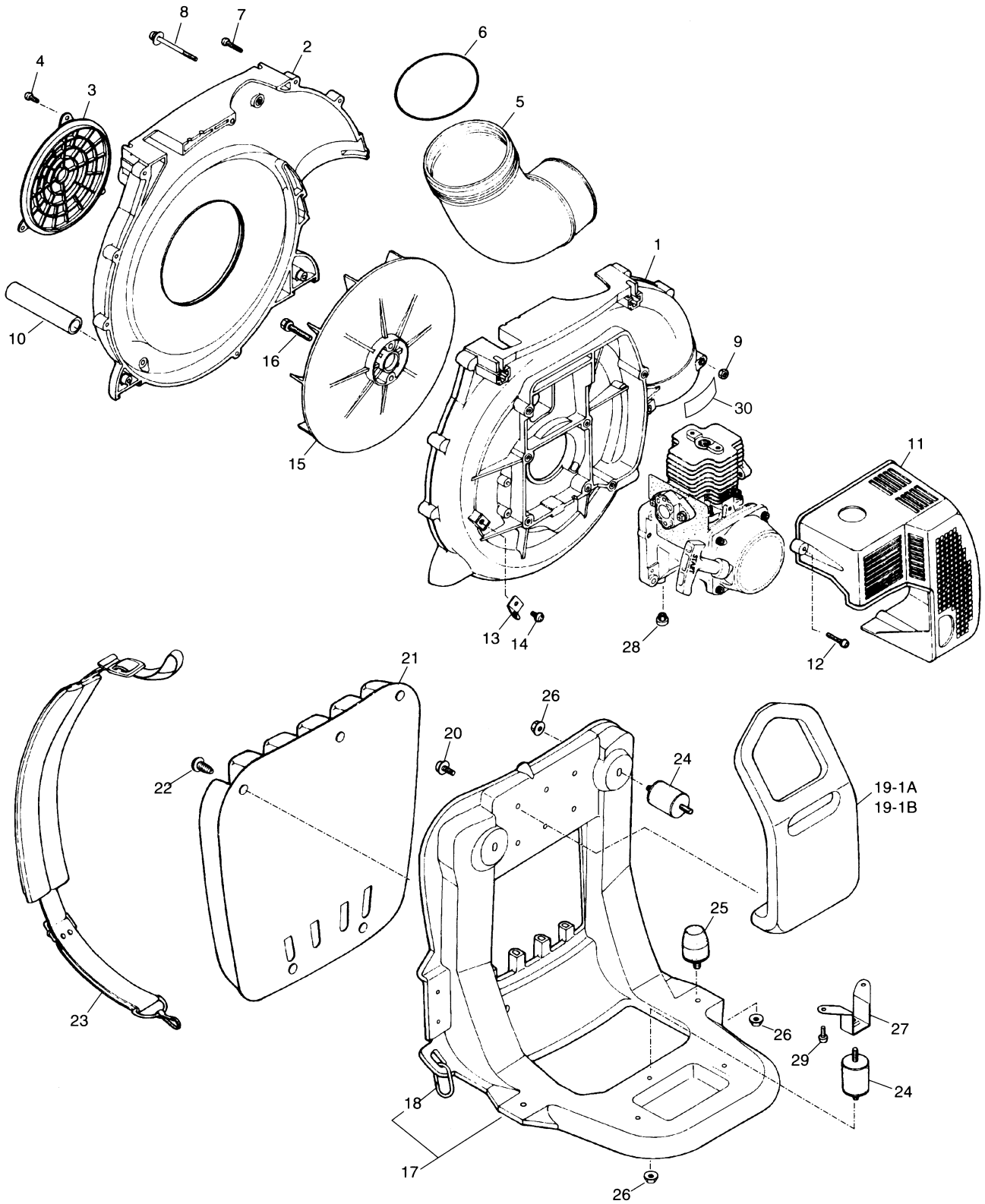


Fig.4 DUSTER UNIT & CONTROL UNIT

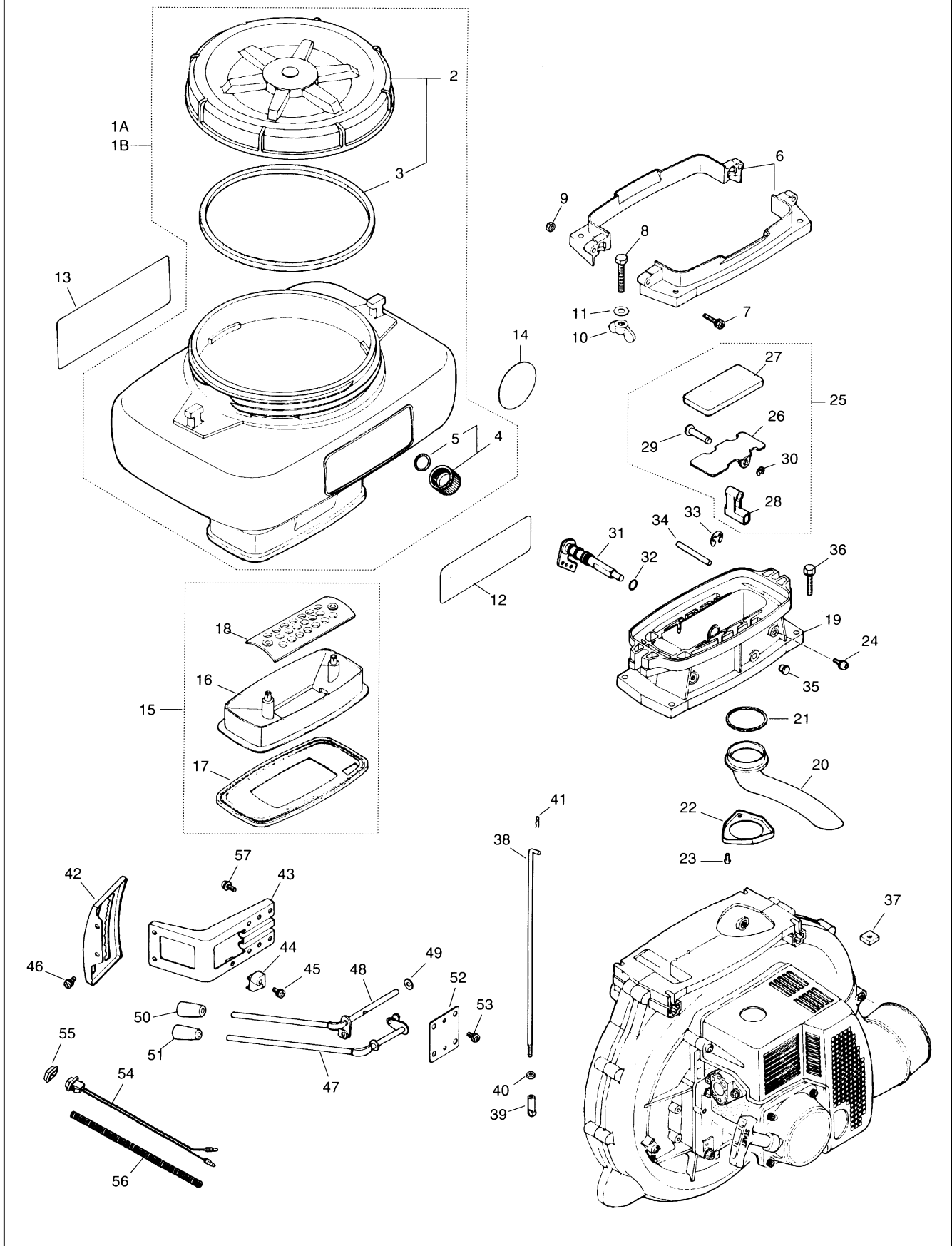


Fig.4 DUSTER UNIT & CONTROL UNIT

Key#	PART NUMBER	DESCRIPTION	Q'TY /UNIT	NOTE	Key#	PART NUMBER	DESCRIPTION	Q'TY /UNIT	NOTE
1A	3460-31004	TANK ASSY 14 \emptyset	1	MD431A14	48	3468-25221	LEVER, throttle	1	
1B	3475-31004	TANK ASSY 23 \emptyset	1	MD431-23	49	3063-21570	WASHER	1	
2	3460-31204	• CAP ASSY	1		50	3063-21593	KNOB, throttle	1	
3	3460-31223	•• GASKET	1		51	3460-25250	KNOB, shutter lever	1	
4	3460-31300	• CAP ASSY	1		52	3460-25311	PLATE	1	
5	3460-31320	•• GASKET	1		53	0263-30512	SCREW	2	
6	3461-31511	CLAMP	2		54	3460-25510	SWITCH	1	
7	3468-31531	BOLT	2		55	1601-72411	CAP	1	
8	3460-31520	BOLT	2		56	3460-25810	TUBE	1	
9	0280-70605	NUT	2		57	3468-25320	SCREW	4	
10	3063-31180	WING NUT	2						
11	2031-42110	WASHER	2						
12	3461-31812	LABEL	1						
13	3460-31912	LABEL, CAUTION	1						
15	3460-14102	COVER ASSY	1						
16	3460-14112	• COVER	1						
17	3460-14122	• GASKET	1						
18	3460-14130	• PLATE	1						
19	3461-13113	CASE, shutter	1						
20	3468-13120	PIPE, guide	1						
21	3460-13130	GASKET	1						
22	3468-13140	COVER	1						
23	3468-13150	SCREW	3						
24	0263-30512	SCREW	2						
25	3460-13302	SHUTTER ASSY	1						
26	3460-13312	• SHUTTER	1						
27	3460-13322	• COVER, shutter	1						
28	3460-13330	• ARM	1						
29	3460-13340	• PIN	1						
30	3422-61150	RING, snap	1						
31	3460-13411	SHAFT	1						
32	07000-02010	O-RING	1						
33	3460-13430	RING, snap	1						
34	3460-13610	BAR	1						
35	3460-13450	PLUG	1						
36	3468-12210	BOLT	4						
37	3468-13130	NUT	4						
38	3468-25410	ROD	1						
39	3063-21721	JOINT, ball	1						
40	0280-70504	NUT	1						
41	3468-25420	PIN, snap	1						
42	3460-25113	INDICATOR	1						
43	3460-25131	BRACKET, lever	1						
44	3460-25140	BRACKET, cable	1						
45	0263-30512	SCREW	1						
46	0263-30512	SCREW	2						
47	3468-25211	LEVER, shutter	1						

Fig.5 ACCESSORIES & TOOLS

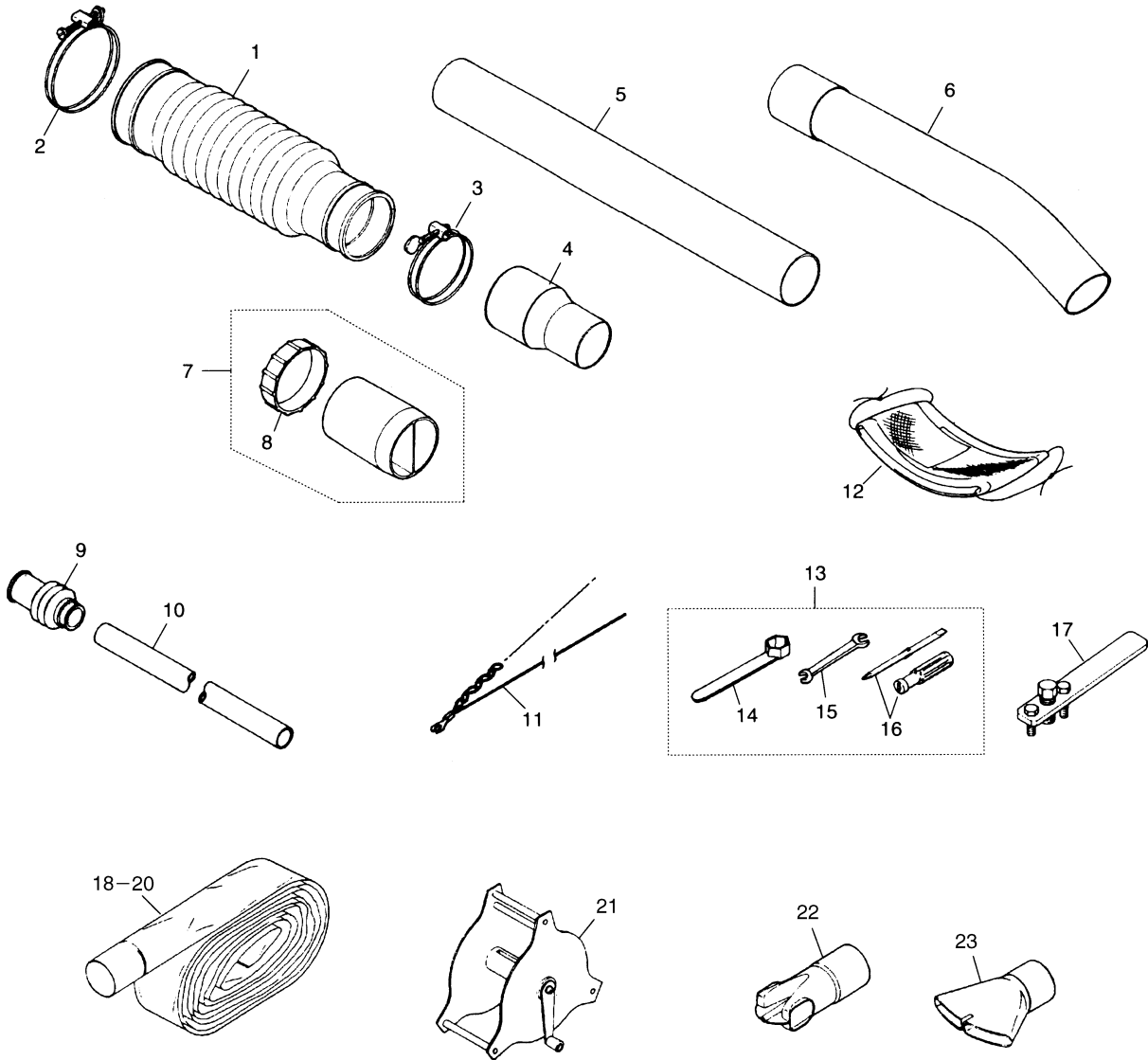


Fig.6 MISTER UNIT

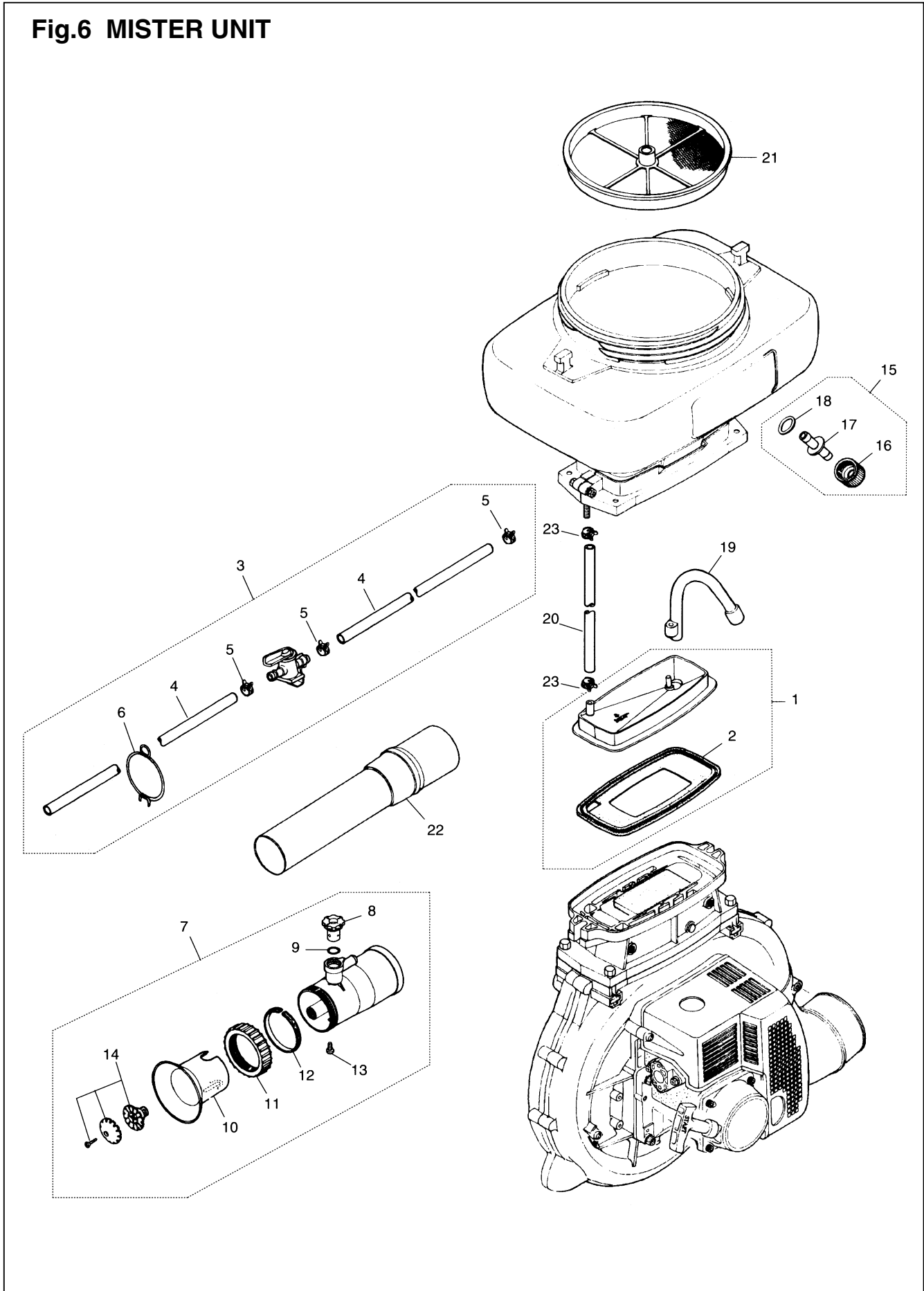


Fig.6 MISTER UNIT

Key#	PART NUMBER	DESCRIPTION	Q'TY /UNIT	NOTE	Key#	PART NUMBER	DESCRIPTION	Q'TY /UNIT	NOTE
1	3460-41102	MIST COVER ASSY	1						
2	3460-14122	GASKET	1						
3	3070-42402	COCK ASSY	1						
4	3010-42480	TUBE	2						
5	1334-85430	CLIP	3						
6	3010-42490	CLAMP	1						
7	3460-41200	MISTER PIPE ASSY	1						
8	3460-41220	VALVE	1						
9	07000-02012	O-RING	1						
10	3460-41230	PIPE, slide	1						
11	3460-41240	STOPPER	1						
12	3460-41250	RING, stopper	1						
13	0261-00510	SCREW	1						
14	3460-41300	NOZZLE ASSY	1						
15	3460-42100	CAP ASSY	1						
16	3460-42111	CAP	1						
17	3460-42130	JOINT	1						
18	3460-31320	GASKET	1						
19	3063-41540	TUBE	1						
20	3460-42210	TUBE	1						
21	3460-42910	STRAINER	1						
22	3490-51200	JOINT, swivel	1						
23	3063-22510	CLIP	2						



KOMATSU ZENOAH CO.

1-9 Minamidai, Kawagoe, Saitama, 350-1192 Japan
